

# busSTRUT READY

## busSTRUT specification sheet

### Linear Light w/ Squared Lens

busSTRUT	Ckt Amps	Voltage	Type	Length	CRI	Lumen Package	Delivered Lumens	Watts	lm/w	Kelvin	(F) Finish	(DC) Option Codes	Catalog Number
BR	20	100-277 VAC	LED	4'	80	9000	6915	50.8	136	3500K	W=White	EM=Battery Pack WLC=Wireless Lighting Controls	BRDL-4-49-35K80-W-(DC)

1. TYPE : 4' LED General light.
2. CONSTRUCTION : 22 Ga. cold rolled steel welded housing.
3. FINISH : Baked powder coated finish, paint after fabrication.  
**MW** - Matte white
4. OPTICAL : **FRA** - Clear Frost Lens.
5. LUMEN PACKAGE : **9** - Nominal 9000 lumens LED system.
6. VOLTAGE : **UNV** - Universal voltage 120v thru 277v.
7. CRI/CCT : **835** - 80+ CRI, 3500K color temperature.
8. LED SYSTEM : High efficiency driver coupled with long-life LEDs

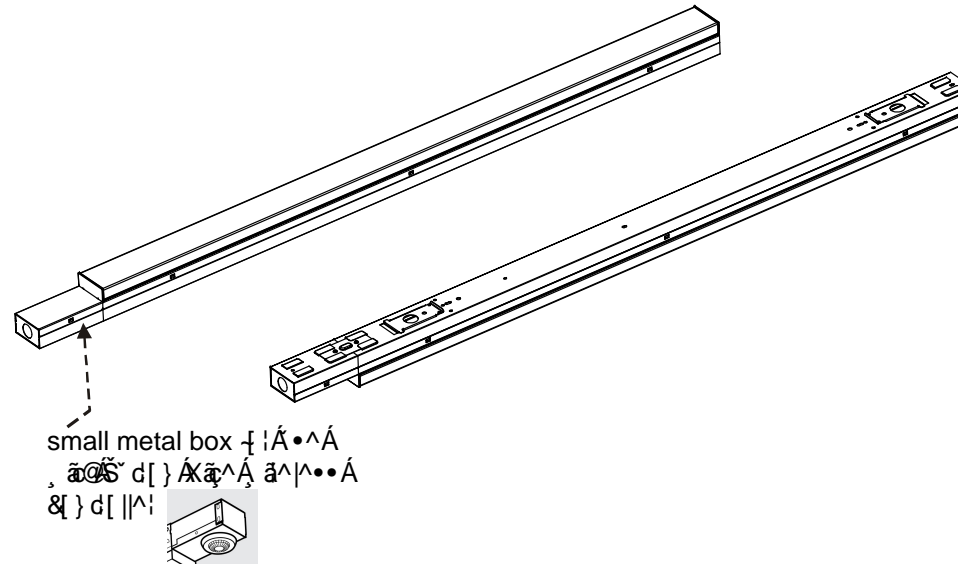
Lumen Package	Lens	CRI / CCT	Delivered Lumens	System Watts	Luminaire Efficacy
9000	FRA	835	6915 LM	50.8W	136 LPW

Note: System data above are based on 120V input voltage.

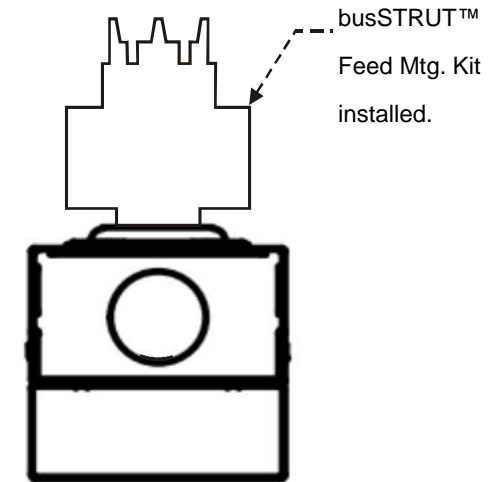
9. FEEDERS : Factory installed busSTRUT™ one or two circuit pre-wired fitters.  
Mounting kit #LF20-2-20-UNIV-WD-W / #LF20-3-20-UNIV-WD-W

10. LABEL : ETL listed.
11. Options : EM - Battery Pack and/or  
**WLC** - Wireless Lighting Control

busSTRUT is not responsible for changes in graphic materials.  
We reserve the right to change details of design, materials, and finish.



### CROSS SECTION



### BACK PLATE busSTRUT™ Mounting Kit

