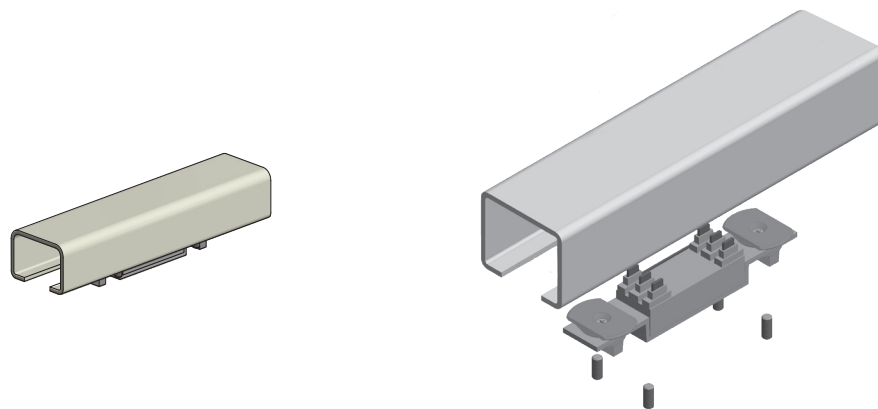


SINGLE-DECK

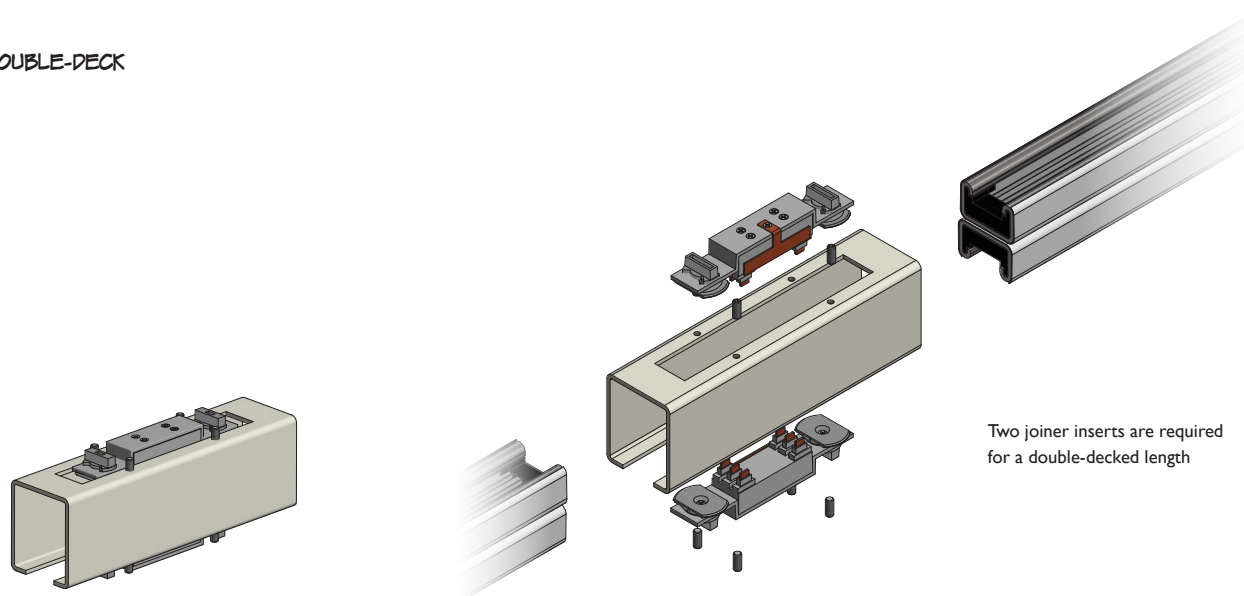


JOINER INSERT

The joiner insert is for use with any busSTRUT joiner to make the electrical connection and continue the flow of power through two abutting busSTRUT lengths.

M-JI-B-X

DOUBLE-DECK



Two joiner inserts are required for a double-decked length