

busSTRUT

SINGLE-DECK



busSTRUT : GALVANIZED
hanger : galvanized

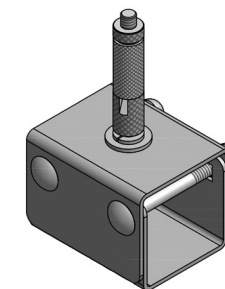
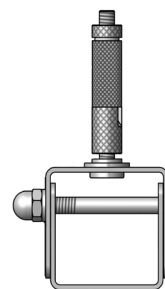
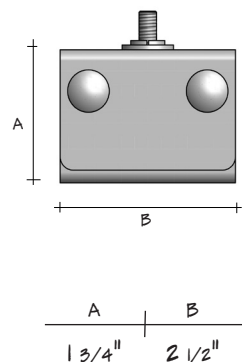
DOUBLE-DECK



busSTRUT : GALVANIZED
hanger : galvanized

HANGER / CABLE GLIDE

SINGLE-DECK

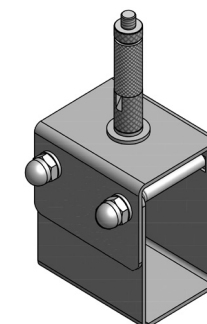
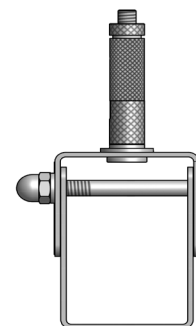
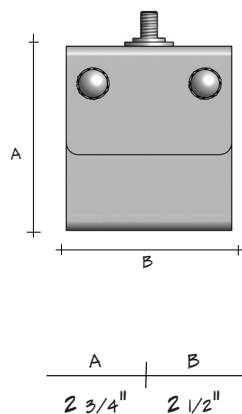


busSTRUT (single-deck)		
Product	Length	Catalog Number
Hanger	Single	HM-S-(F)-ST-H
Cable Glide	15'	CG-15
	Custom	CG-XX

Finish - G=Galvanized W=White B=Black

Single-Deck Hangers are for use with all busSTRUT lengths. Each hanger is a pre-assembled two part unit. The upper half includes a threaded stud for cable glide attachment. 1/4"-20 bolts slide through to secure, align, and lock both halves of the assembly. Cables are attached to the hanger by sliding through the glide. 1/4"-20 eye bolt is for use with beam clamps (by others) and comes pre-installed to the cable.

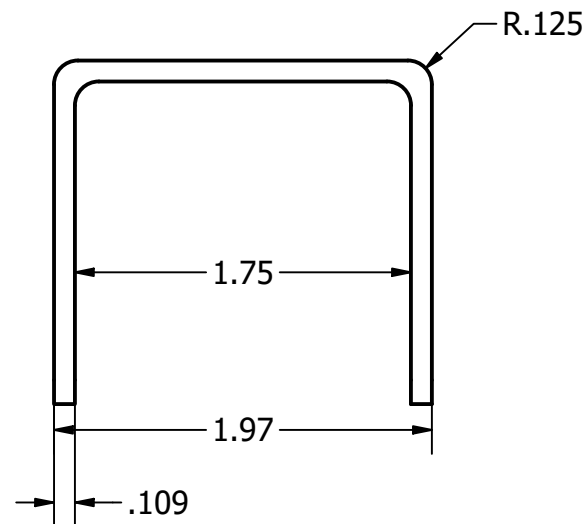
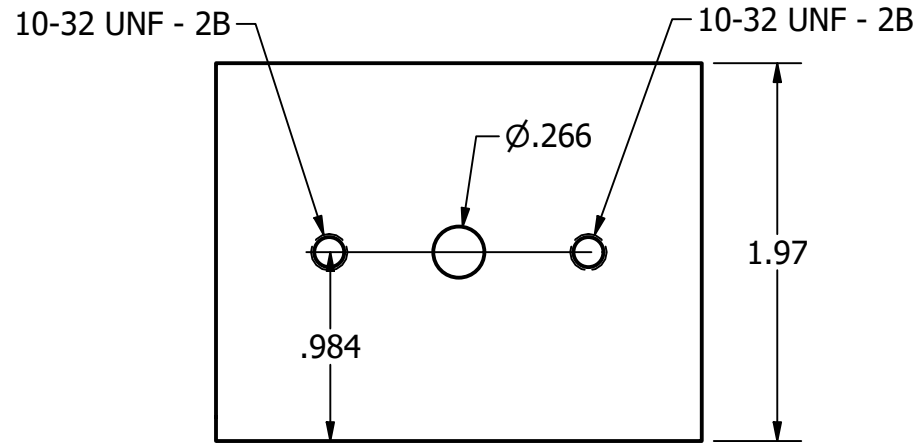
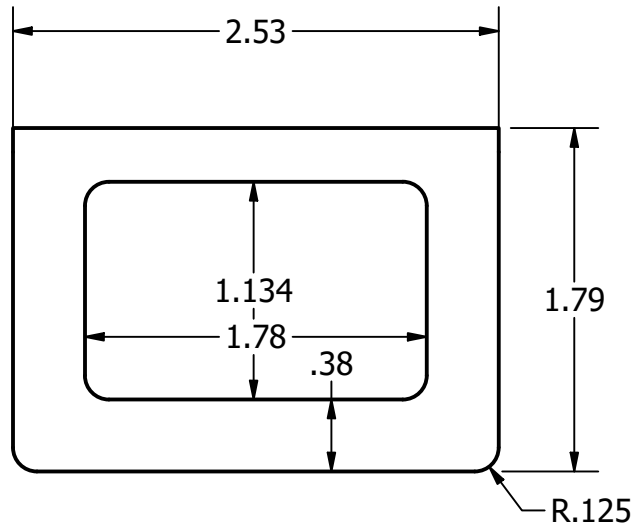
DOUBLE-DECK



busSTRUT (double-deck)		
Product	Length	Catalog Number
Hanger	Double	HD-S-(F)
Cable Glide	15'	CG-15
	Custom	CG-XX

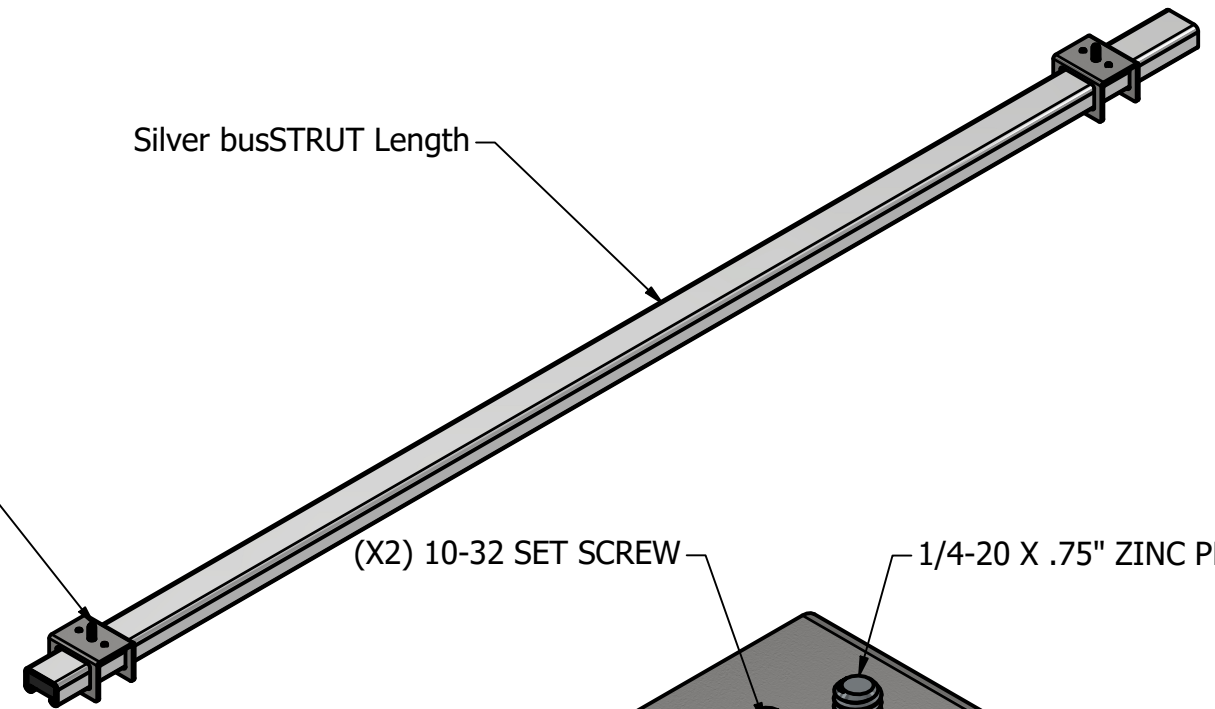
Finish - G=Galvanized W=White B=Black

Double-Deck Hangers are for use with all busSTRUT lengths. Each hanger is a pre-assembled two part unit. The upper half includes a threaded stud for cable glide attachment. 1/4"-20 bolts slide through to secure, align, and lock both halves of the assembly. Cables are attached to the hanger by sliding through the glide. 1/4"-20 eye bolt is for use with beam clamps (by others) and comes pre-installed to the cable.



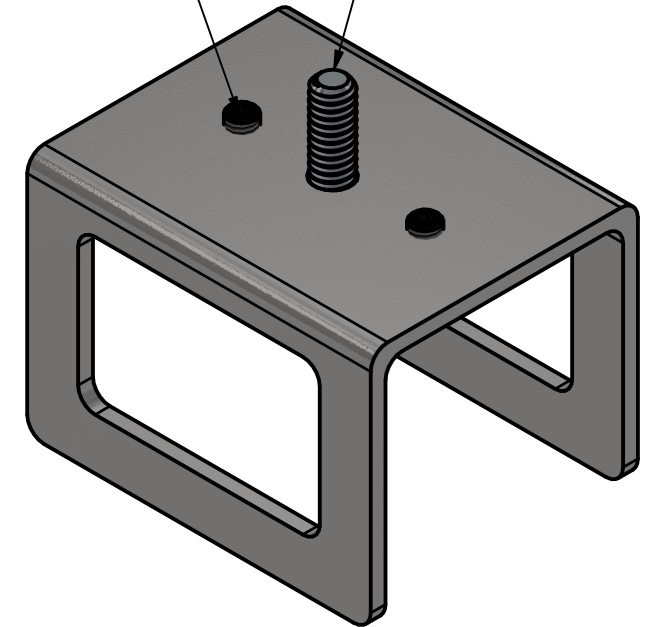
MB-ICM-SH-(C) 1-1
(SINGLE HANGER)

Silver busSTRUT Length



(X2) 10-32 SET SCREW

1/4-20 X .75\"/>



DRAWN dclar		busSTRUT		
CHECKED				
QA		TITLE ICM-SH-(C) 1-1		
MFG				
APPROVED		SIZE B	DWG NO ICM-SH-(C) 1-1	REV
		SCALE .14	SHEET 1 OF 1	