

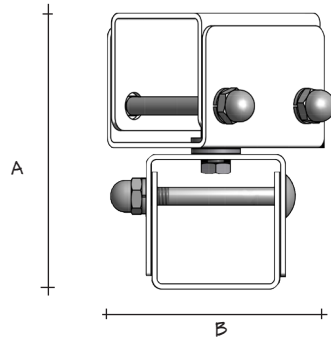
busSTRUT



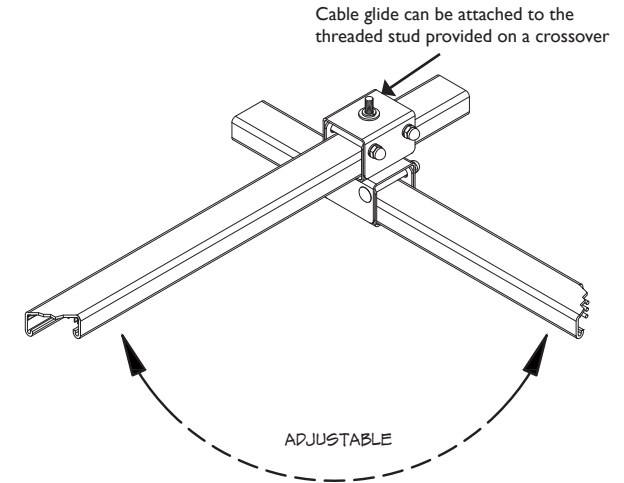
CROSSOVER : VARIABLE (1/1)

busSTRUT : GALVANIZED  
crossover : galvanized

VARIABLE CROSSOVER (1/1)



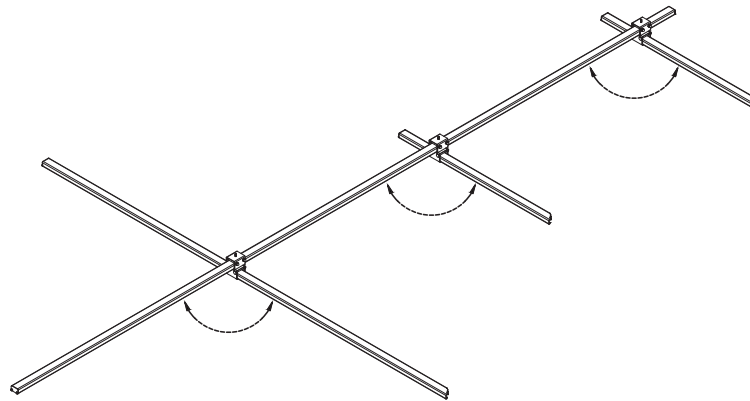
A	B
3 1/2"	2"



busSTRUT (single-deck)		
Product	Length	Catalog Number
Variable	Single	CM-SWV-S-(F)

Finish - G=Galvanized W=White B=Black

VARIABLE (1/1) crossovers are for use with two busSTRUT lengths. Each crossover is a pre-assembled three part unit for building variable angles. The cable glide attaches to the upper piece from the threaded stud. 1/4"-20 bolts slide through to secure, align, and lock both halves of the assembly in one direction.



VARIABLE crossovers provide the mechanical connection for building variable angles. The VARIABLE crossover rotates to connect one single-deck length of busSTRUT to another single-deck length at any angle. Necessary rotation can be made in the field.