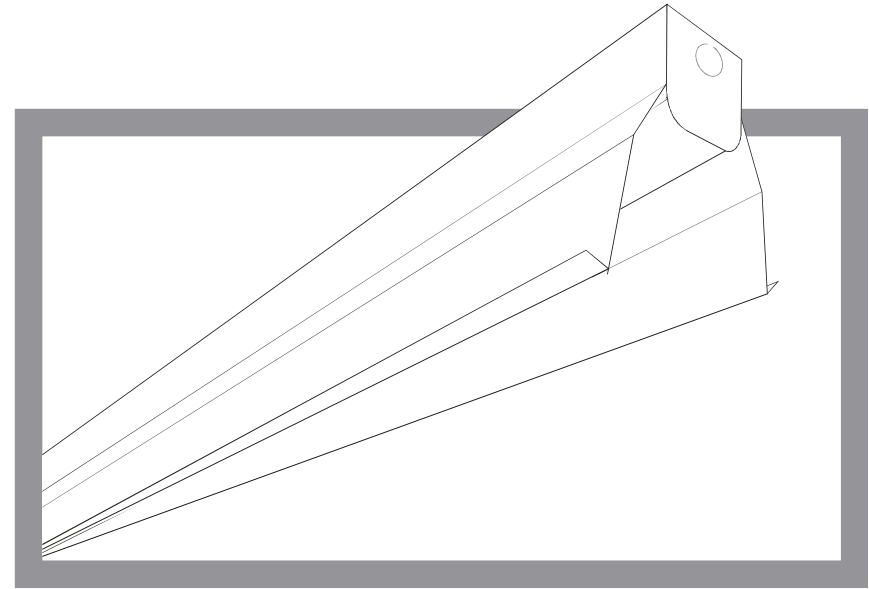
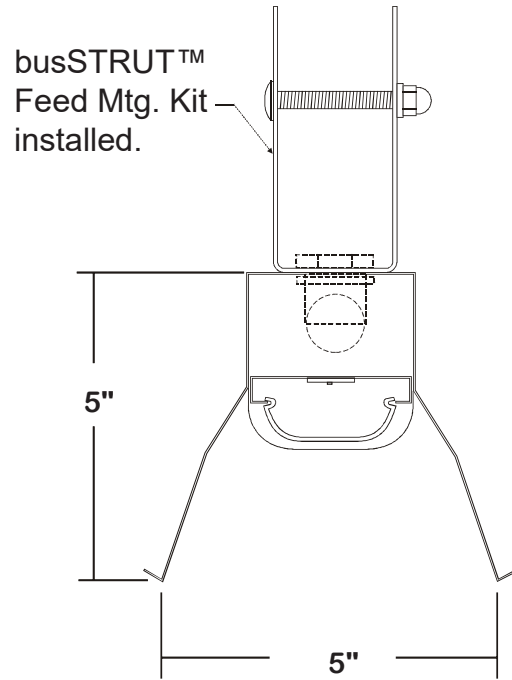
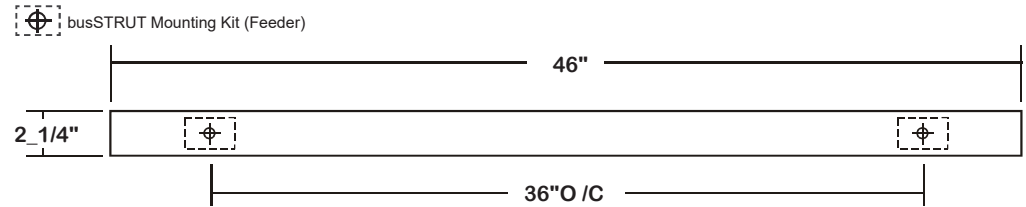


	busSTRUT	Ckt Amps	Voltage	Type	Lamp	Boards	CRI	Lumen Package	Delivered Lumens	Watts	lm/w	Kelvin	(F) Finish	Catalog Number
<b>4' LED GENERAL LIGHT</b>	BR	20	100-277 VAC	General	LED	2	80	9000	6703	56*	118	4000	B- Black	<b>BR-LED-4L-9-840-B</b>

\*power factor: 0.95



## BACK PLATE



## Description:

- 4' LED General Light
- Input Voltage: 100-277 VAC
- CRI/CCT: 840- 80 + CRI, 4000K
- Optical: Frosted acrylic lens.